

# T4i engineering

- ❖ *Extraordinary design*
- ❖ *Robust engineering*
- ❖ *Technology made simple*



© 2021 T4i engineering

## Integration

We adapt our prototypes for use in different detection platforms for enhancing monitoring capabilities in DIM operations and industrial inspections.

**T4i DOVER™**: Versatile, robust, miniaturised, IoT-by-design chemical detector for mounting on-board robotics and UAVs.

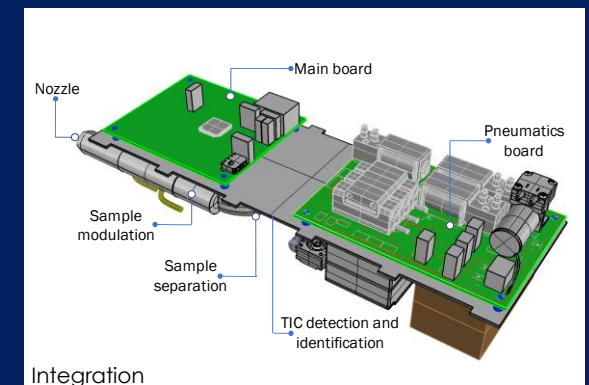
**T4i SMS**: Fast, dynamic, miniaturised sampling system and fast, LTM GC in one unit. Ideal for hyphenation with PID, IMS, MS.

**FemtoMachine**: Unique, handheld vapour generator that transforms calibration and testing of chemical sensors and detectors.

## Electronic boards design

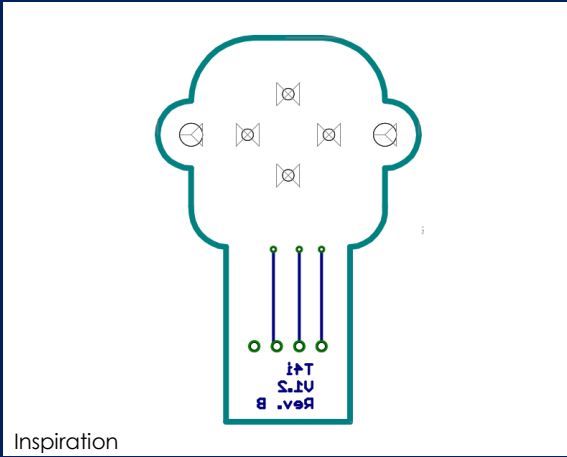
T4i engineering provide electronics design services based on our experience in embedded electronics, incorporating a variety of transducers, interface communication protocols and microcontrollers.

Our team of engineers specializes in hybrid systems that fuse electronics and miniature low power pneumatic components, as well as, chemical or other sensors.



Integration

© 2021 T4i engineering



Inspiration

© 2021 T4i engineering

## Materials science R&D

T4i engineering carry out R&D technical projects in the area of polymers and specifically, epoxy resins.

We have experience in testing and evaluating aging and weather performance of polymers.

T4i engineering have experience that ensures high quality project management and risk analysis for R&D projects.



## Who we are

T4i engineering provides solutions and services in the areas of chemical detection, specialised electronic design and materials science.

Company core innovation is the design of modular, miniaturised and adaptive detectors. We are a group of engineers and experts with experience in electronics design and materials science. We exploit the power of advanced design, miniaturisation and prototyping for delivering state-of-the-art solutions.

T4i engineering have experience that ensures high quality project management and risk analysis for R&D projects.

## Contact Us



+44 (0) 208 144 2021



info@t4ieng.com



Loughborough University Science  
and Enterprise Park  
5 Oakwood Drive, Loughborough  
Leicestershire, LE11 3QF  
United Kingdom

&

Lavrion Technological and  
Cultural Park  
Leoforos Lavriou 1  
Lavrio, 19500  
Greece



[www.t4ieng.com](http://www.t4ieng.com)